

ALUMINUM DOOR: ALUMINUM DOOR TO BE NORNINAL 1-3/4" THICK FLUSH DESIGN, SERIES 2001. DOOR STILES AND RAILS SHALL HAVE A STRONG, RIGID ALUMINUM SUB-FRAME WITH INTEGRAL EDGE CAPS. THE SUB-FRAMES SHALL BE CONNECTED BY A 3/8" STEEL TIE ROD TOP AND BOTTOM. NO SNAP-ON OR APPLIED DOOR EDGES AT HINGE OR LOCK STILES.

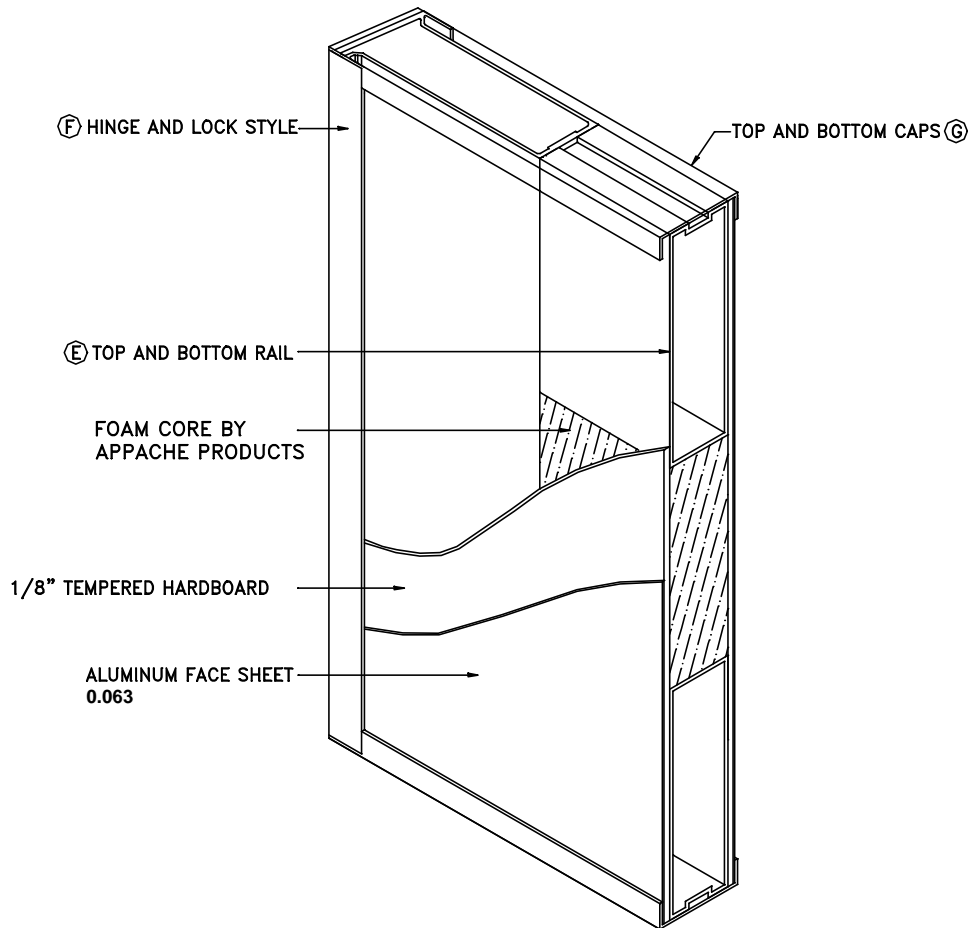
FACE SHEET: FACE SHEET SHALL BE ALU. 3003-H14/5005-H34 ALLOY WITH A MINIMUM THICKNESS OF 0.060" WITH A MINIMUM YIELD STRENGTH OF 26,450 PSI. FACE SHEETS SHALL BE CONCEALED UNDER A 1/2" EDGE CAP FULL PERIMETER.

INSULATED CORE: ALL VOIDS BETWEEN SUB-FARMES SHALL BE FILLED WITH A ESP RIGID FOAM BOARD AS MANUFACTURED BY APACHE PRODUCTS CO. CORE SHALL BE LAMINATED BETWEEN TWO SHEETS OF 1/8" TEMPERED HARDBOARD FOR IMPACT REINFORCING.

LAMINATION: SUB-FRAME, FACE SHEET AND INSULATED CORE SHALL BE BONDED TOGETHER WITH A MOISTURE CURE, ONE-PART ADHESIVE AS MANUFACTURED BY MORTON INTERNATIONAL OR EQUAL UNDER PRESSURE TO FORM A WATER, HEAT, AND CHEMICAL RESISTANT BOND.

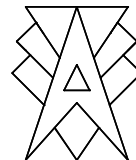
ALUMINUM SUB-FRAME FULL PERIMETER: 1-3/8" X 4-1/2" SUB-FRAME WITH AN INTEGRAL EDGE CAP AT HINGE AND LOCK EDGE, TOP AND BOTTOM OF DOOR SHALL BE CAPPED TO INSURE PROPER PROTECTION FROM THE ELEMENTS. MINIMUM WALL THICKNESS AT HINGE AND LOCK EDGE SHALL BE 0.125" AND BEVEL 1/8" IN 2". STILE AND RAILS SHALL BE CONNECTED WITH A 3/8" PLATED STEEL TIE ROD TOP AND BOTTOM. OVERALL DOOR TOLERANCE SHALL BE PLUS OR MINUS 1/16". EXTRUSION TOLERANCES SHALL BE AS SET BY THE AMERICAN ALUMINUM MANUFACTURE'S ASSOCIATION.

HARDWARE REINFORCING: HINGE REINFORCING PLATES SHALL BE OF 3/4" X 1" X 7" LONG ALUMINUM PLATE 6063-T6 MOUNTED TO DOOR STILE WITH (4) 12-24 MACHINE SCREWS, LOCK REINFORCING PLATES SHALL BE 3/4" X 1" X 1 1/2" LONG ALUMINUM PLATE 6063-T6 MOUNTED TO DOOR STILE WITH (1) 10-24 MACHINE SCREW.



FLUSH DOOR: ISOMETRIC

MODEL 260E



ALUTECH CORPORATION
 8548 NW 64th STREET
 MIAMI, FL 33166
 PH: 305/593-2080
 FAX: 305/591-8481

DOOR SPECS

DATE:	DRAWN BY: A.P.
JOB No.:	SHEET No.:
DWG No.:	